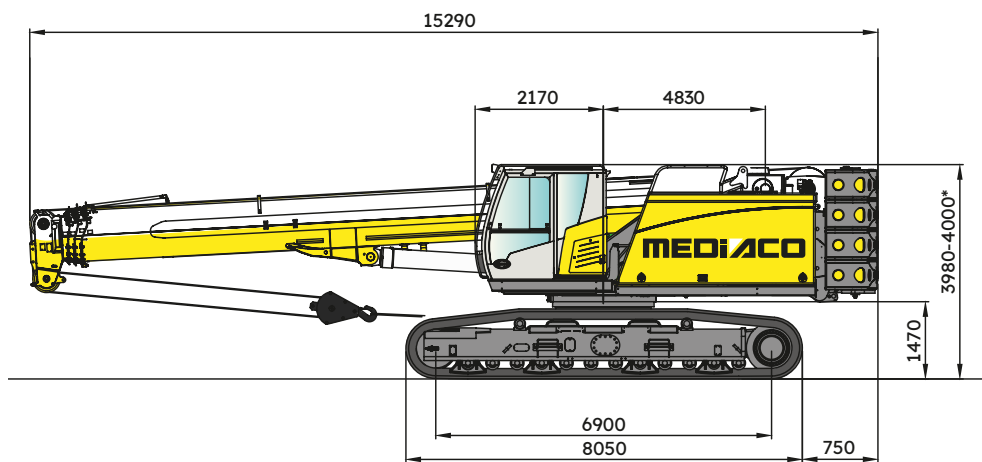
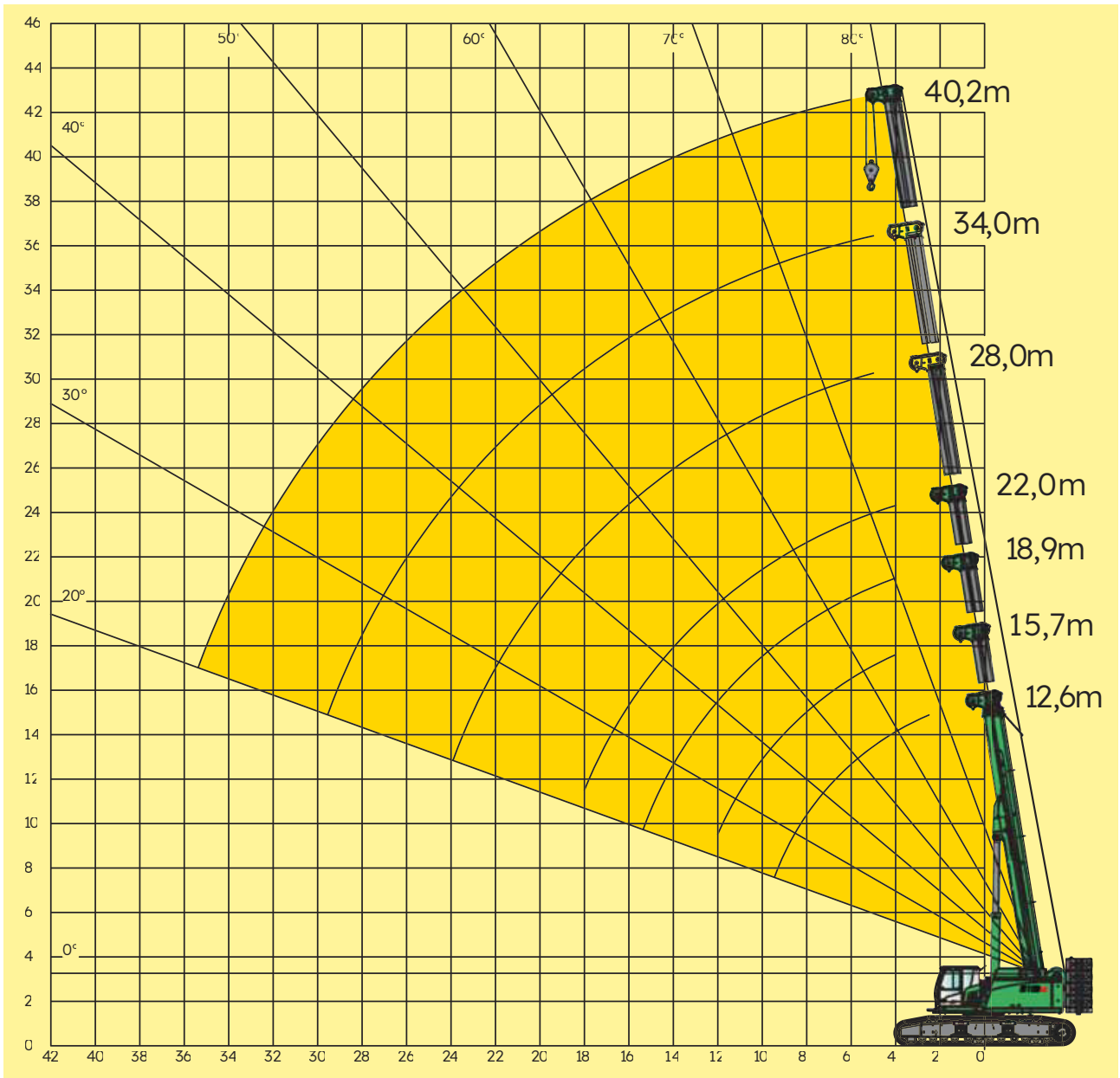




# GRUE SUR CHENILLES





Télécharger  
la fiche du constructeur



	Boom length [m]																					
	12.6			15.7			18.9			22.0			28.0			34.0			40.2			
Counterweight [t]	33.0	33.0	19.2	33.0	33.0	19.2	33.0	33.0	19.2	33.0	33.0	19.2	33.0	33.0	19.2	33.0	33.0	19.2	33.0	33.0	19.2	
Carbody counterweight [t]	0.0	0.0	0.0	0.0	0.0	0.0	0.0	0.0	0.0	0.0	0.0	0.0	0.0	0.0	0.0	0.0	0.0	0.0	0.0	0.0	0.0	
Undercarriage track width [m]	5.4	4.2	5.4	5.4	4.2	5.4	5.4	4.2	5.4	5.4	4.2	5.4	5.4	4.2	5.4	5.4	4.2	5.4	5.4	4.2	5.4	
Working radius [m]																						
2.5	120.0																					
3.0	100.0																					
4.0	84.0	75.0	75.0	69.0	69.0	69.0	66.0	66.0	66.0	52.0	52.0	52.0										
5.0	75.0	75.0	75.0	69.0	69.0	69.0	61.4	61.4	61.4	52.0	52.0	52.0	37.0	37.0	37.0	30.0	30.0	30.0				
6.0	70.0	70.0	63.5	67.0	67.0	63.1	54.0	54.0	54.0	48.4	48.2	48.2	37.0	37.0	37.0	29.8	29.8	29.8	21.0	21.0	21.0	
7.0	60.0	55.5	53.7	59.0	54.9	53.3	48.3	48.3	48.3	43.3	43.3	43.3	36.2	36.2	36.2	28.5	28.5	28.5	21.0	21.0	21.0	
8.0	52.0	45.1	46.0	50.0	44.5	45.4	43.4	43.4	43.4	38.8	38.8	38.8	33.7	33.7	33.7	27.0	27.0	27.0	20.0	20.0	20.0	
9.0	45.0	37.7	37.8	45.0	37.2	37.2	39.3	36.8	36.8	35.2												
10.0	40.0	32.1	31.8	39.9	31.7	31.3	36.0	31.3	30.9	32.1	31.0	30.6	28.2	28.2	28.2	23.4	23.4	23.4	18.6	18.6	18.6	
12.0				30.8	24.0	23.2	30.5	23.7	22.9	27.1	23.5	22.6	24.4	24.3	23.6	20.4	20.4	20.4	16.6	16.6	16.6	
14.0							23.9	18.6	17.7	23.2	18.4	17.4	21.1	19.2	18.3	17.9	17.9	17.9	14.8	14.8	14.8	
16.0							19.3	15.0	14.0	19.1	14.8	13.8	18.4	15.6	14.7	15.9	15.9	15.2	13.3	13.3	13.3	
18.0										15.7	12.1	11.1	16.2	12.9	12.0	14.3	13.4	12.5	12.0	12.0	12.0	
20.0													14.0	10.8	9.9	12.9	11.3	10.4	10.8	10.8	10.8	
22.0													12.0	9.1	8.3	11.6	9.6	8.8	9.8	9.8	9.1	
24.0													10.3	7.7	6.8	10.7	8.2	7.4	9.0	8.6	7.8	
26.0																9.4	7.1	6.2	8.2	7.4	6.6	
28.0																8.2	6.0	5.2	7.6	6.4	5.6	
30.0																7.2	5.1	4.4	7.0	5.5	4.8	
32.0																			6.4	4.7	4.0	
34.0																			5.7	4.0	3.3	
36.0																			5.1	3.4	2.8	

